



# Installation Instructions: High Bay (11360)

Read these instructions before installation and retain for future reference. This equipment should be installed by a competent electrician

## Important Information

We recommend that luminaires are installed by a qualified electrician ensuring the installation complies with current IEE wiring regulations BS7671:2018 & local building control.

- All tests should be carried out in accordance to EN 50172:2004.
- BELL will not accept responsibility for any claims arising from a poor installation.
- The light source of this luminaire is not replaceable: when the light source reaches end of life, the whole luminaire must be replaced.
- Upgrading of MCB may be required.

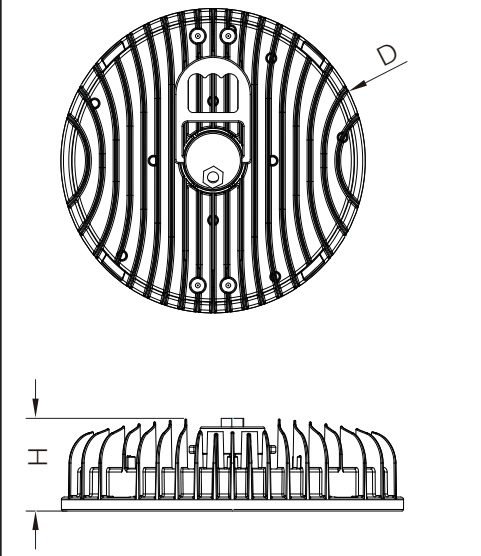
**Warning Before installation ensure power is disconnected.**

This product may contain substances that can be hazardous to the environment if not disposed of properly. Electrical and electronic equipment should never be disposed of with general household waste but must be separated for its correct treatment and recovery.

Where possible recycle your packaging.



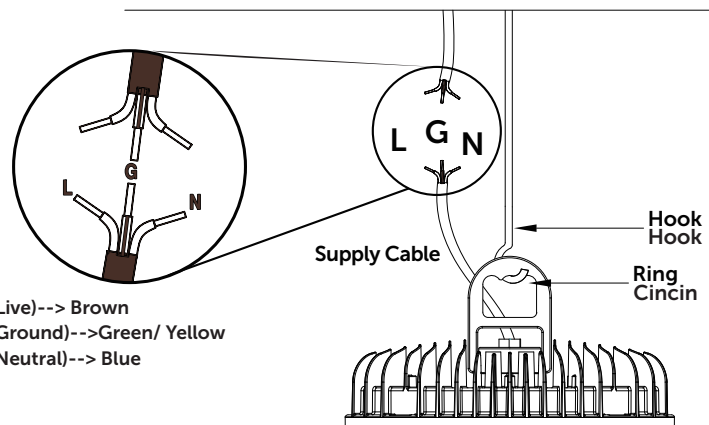
## Dimensions Dimensi




Model	Ampera	D	H	Unit
100W	Min	215	55	mm
	Mid	220	60	
	Max	225	65	

## Installation

- Turn off the power before installation
- Connect the luminaire
- Turn on the luminaire after installation is completed.



Type Number Jenis Nomor	Power Daya	LEDs Led	Voltage Tegangan	Frequency Frekuensi	CCT CCT	
100W	100W	140	AC 220-240V	50/60Hz	4000K	1.60



Technical Helpline +44 (0)1924 893380

[www.bellighting.co.uk](http://www.bellighting.co.uk)

British Electric Lamps Ltd, Unit A Foxbridge Way  
Normanton Ind Est, Normanton, West Yorkshire. WF6 1TN

T: +44 (0)1924 893380 F: +44 (0)1924 894320 E: sales@bellighting.co.uk